

## LS1-R

### BATTERY REPLACEMENT GUIDE

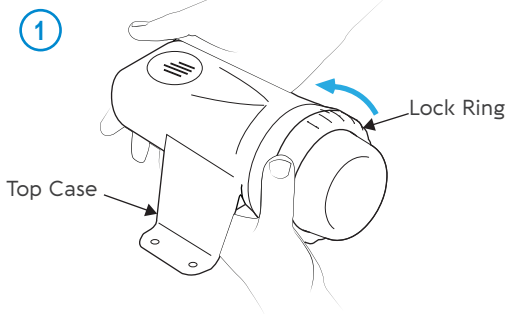
*Please handle the circuit board with care when changing the battery.*

*Avoid touching any electronic components by holding the circuit board on the edges only.*

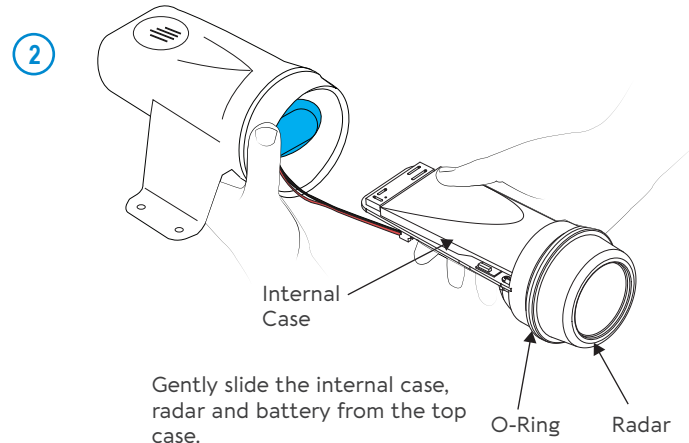
*Remove the circuit board from the sensor in a area that is free of dust and moisture.*

[waterwatch.io](http://waterwatch.io)  
[info@waterwatch.io](mailto:info@waterwatch.io)

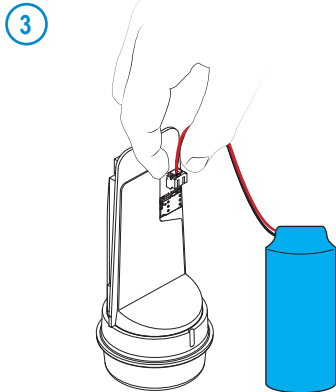
Tel +64 3 477 2779  
 94B Crawford St  
 Dunedin, NZ 9016



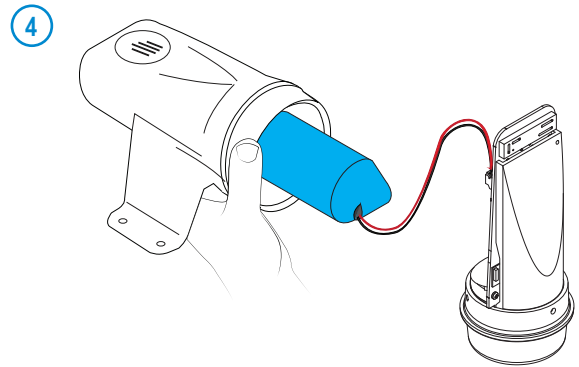
Unscrew and remove the lock ring.



Gently slide the internal case, radar and battery from the top case.

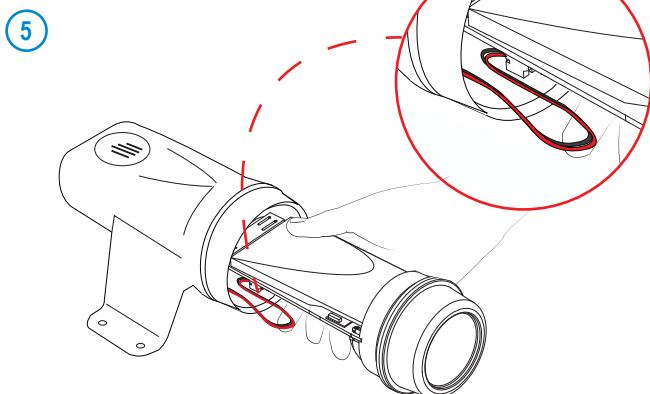


Carefully unplug the battery cable from the circuit board.  
 Plug your new battery in.

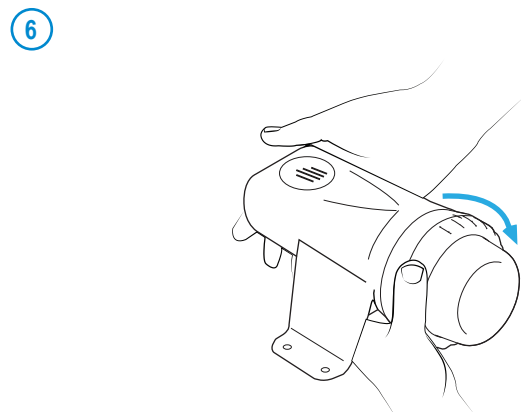


Place the battery into the cradle in the top case.

The battery wires should be placed on the **left side** of the cradle.



Slide the internal case and radar into the new case over the battery. Push the top case and radar together to compress the o-ring. Keep the wires to the left and be careful not to pinch the battery wires between the internal and top case.



Screw the lock ring back on and you're good to go! Make sure the cover is tightly screwed on to prevent water and dust from damaging your sensor.