

AVAILABLE PART VARIANTS

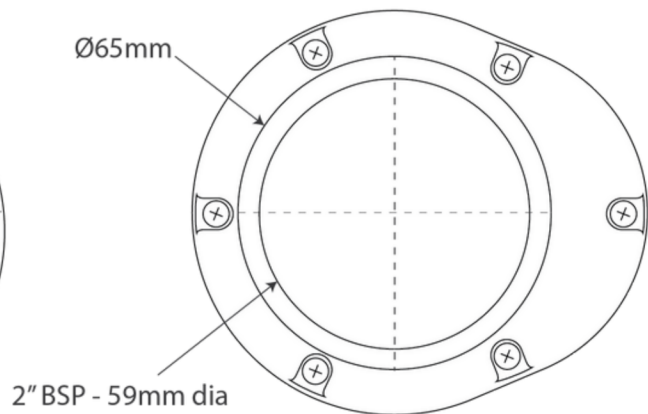
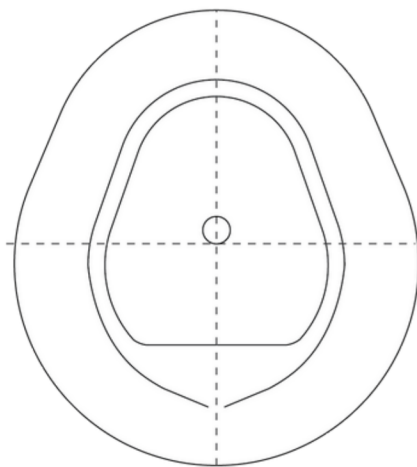
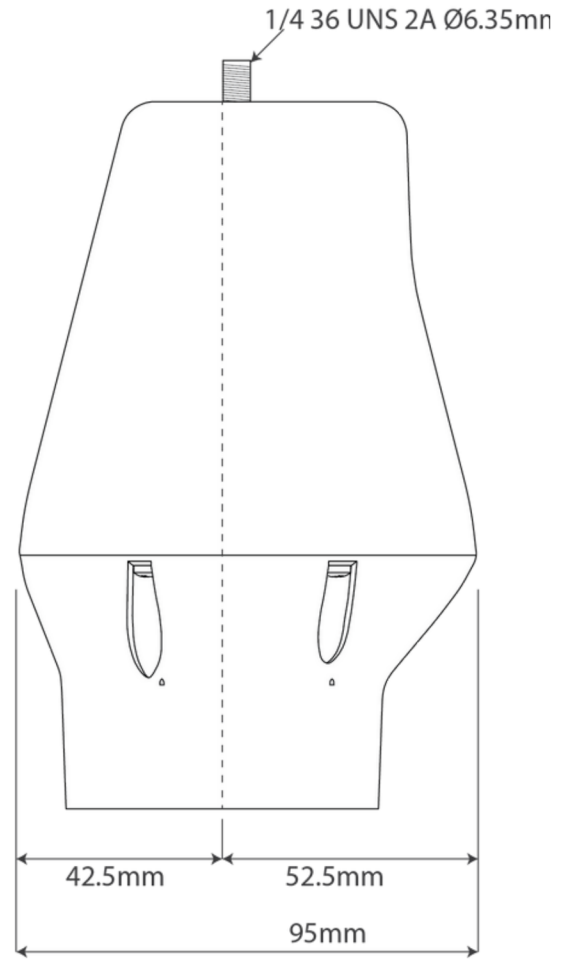
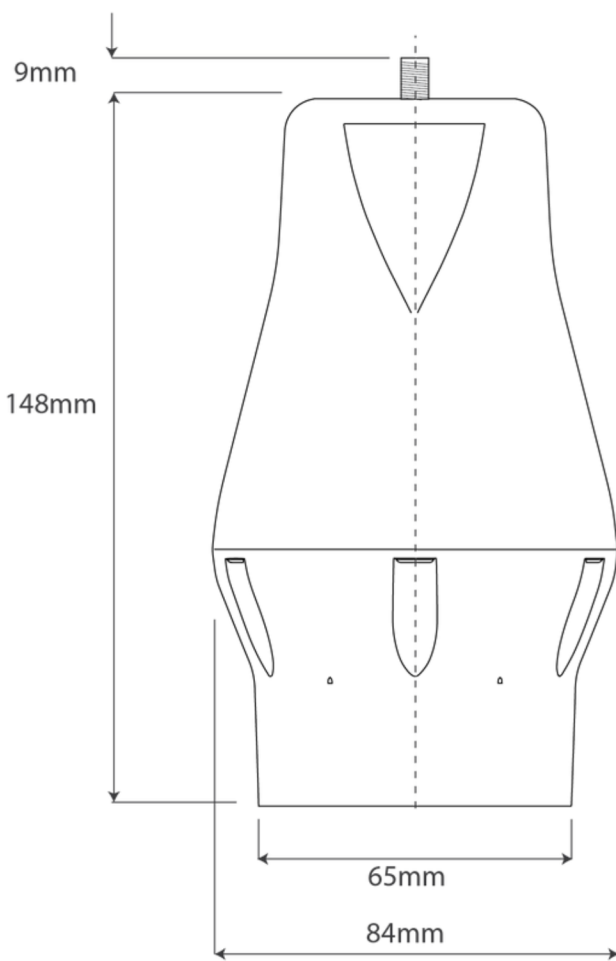
- LS1-CEL-R7
- LS1-WIFI-R7
- LS1-WIFI-R12
- LS1-CEL-R12

- cellular 7 meter range
- WiFi 7 meter range
- WiFi 12 meter range
- cellular 12 meter range



waterwatch

LS1-R-EXT



AVAILABLE PART VARIANTS

LS1-CEL-EXT-R7

LS1-CEL-EXT-R12

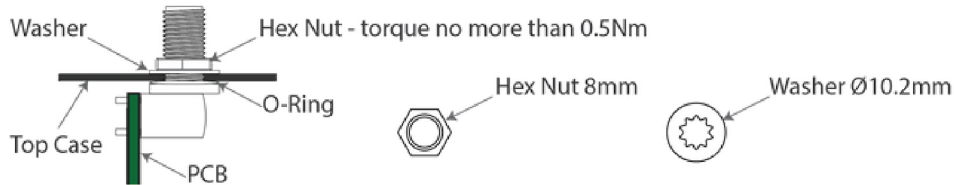
external antenna cellular 7 meter range

external antenna cellular 12 meter range

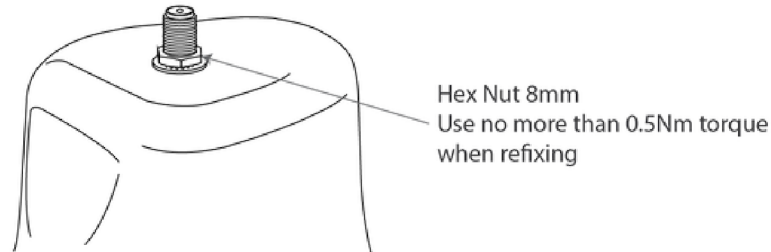


REMOVING TOP CASE - ALL EXTERNAL ANTENNA VARIANTS

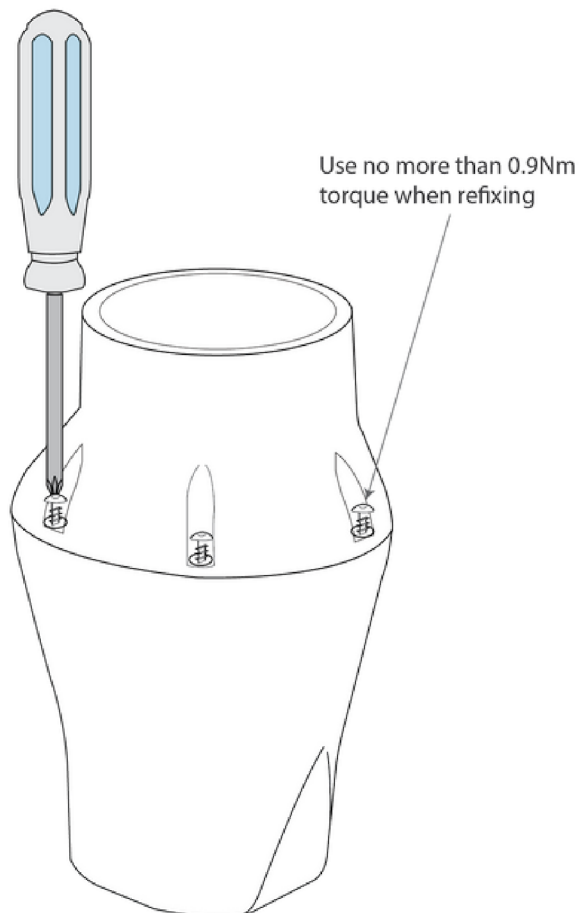
EXTERNAL ANTENNA DETAILS - Please note the torque requirements when assembling the case. These torque settings are required to maintain the manufacturer's water resistance rating.



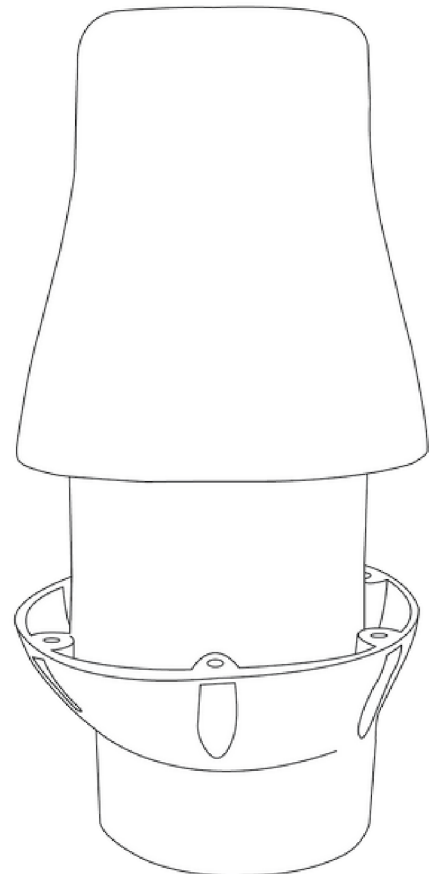
1. Remove the nut and washer



2. Remove the screws from the base



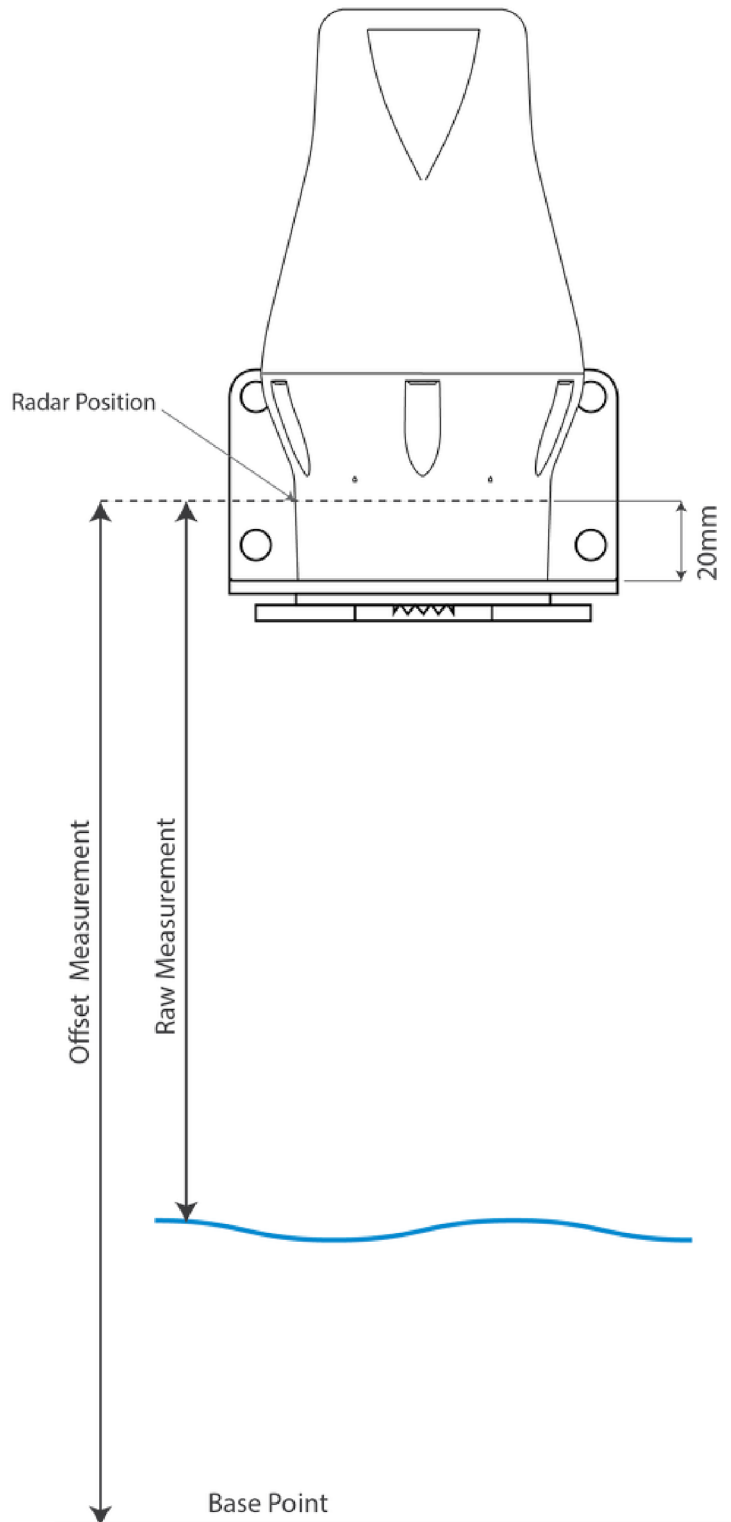
3. Carefully lift the top case from the base



RAW MEASUREMENTS AND OFFSET - ALL LS1-R VARIANTS

Raw measurement is defined as the measured distance when no offset is applied. An Offset can be applied to create the context for a specific installation. Water level can be determined given the Offset and Raw measurements. The Offset value can be set as positive or negative. All values are measured in millimeters.

$$\text{LEVEL} = \text{OFFSET} - \text{RAW}$$



MOUNTING HARDWARE - ALL LS1-R VARIANTS

