

## Tank Level Sensor Features

The T35 is a high-accuracy radar sensor designed specifically to remotely measure liquid levels in tanks. It is easy to install with 4 self-tapping screws and a handy mobile app. The internal level sensor is non-contact so will not corrode or need replacing and can be used with any water and non-incendiary chemicals. Maintenance is reduced with no antenna, cabled probes, or solar panel to worry about.

## Internet Connected

The T35 is internet-connected which means that data received from your T35 is always accessible via your smartphone, tablet, or computer. In addition, you can set alarms for high, low, and rapidly changing levels which are available via SMS, app notification, or email.

Management of multiple tanks is a breeze and the ability to share access with users allows you to keep staff up to date.

## MONITOR YOUR TANK LEVELS FROM ANYWHERE



Install it yourself using the Waterwatch mobile app



## Technical Specifications

### CONNECTION

Bluetooth Low Energy	2.4/2.483GHz:0dB
Wi-Fi	2.4GHz:<19dB
LTE Cat M/NB-IoT	LTE Band 3, 28:<24dB

### ENVIRONMENT

Protection	IP68
Operation temperature	-20°C to +65°C <sup>3</sup>
Recommended storage temperature	+15°C to +25°C

### BATTERY

Life	3-10 years <sup>1</sup>
Type	3.6v Lithium primary
Capacity	19Ah

### SENSOR PARAMETERS

Technology	60GHz pulsed radar
Measurement range	3.5m
Accuracy	0.2%
Resolution	1mm
Beam pattern, Half Power Bandwidth	14° HPBW

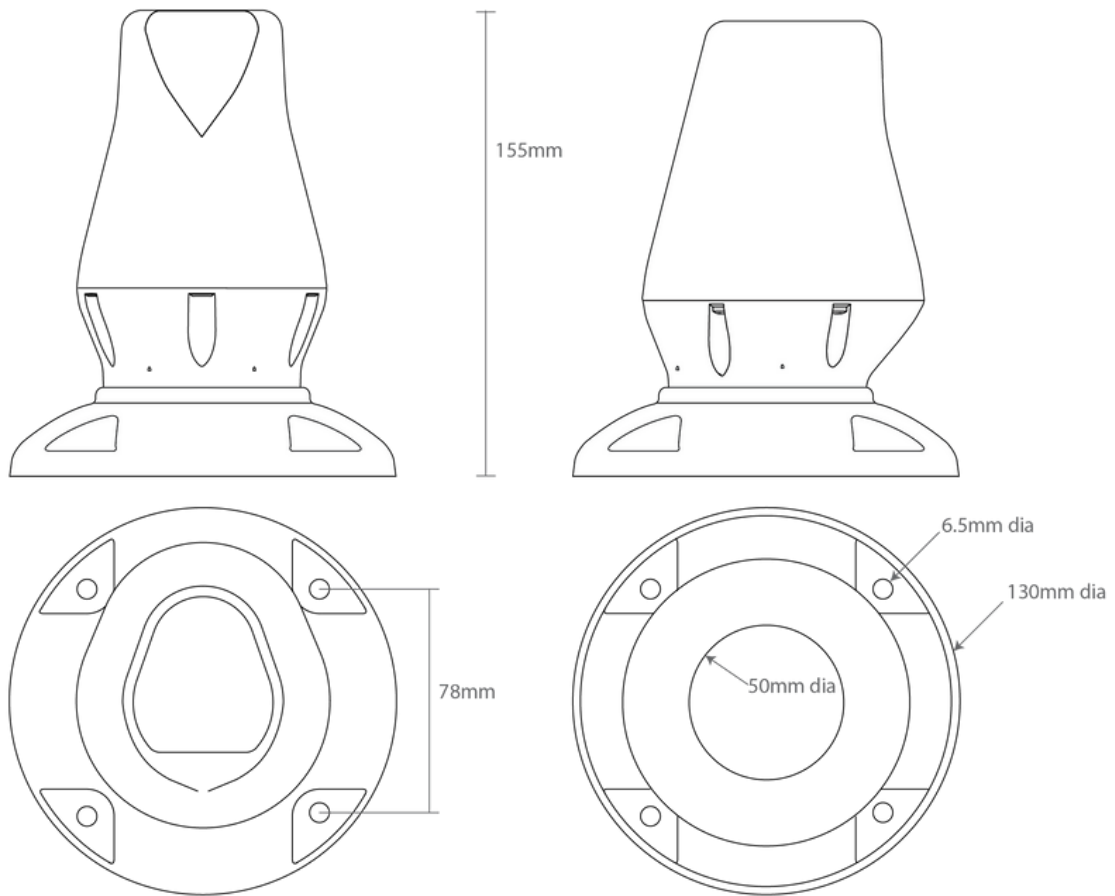
### PHYSICAL CHARACTERISTICS

Dimensions	132x130mm
Weight	330g
Enclosure material	Polycarbonate + PBT
Mounting	M4 screw

<http://waterwatch.io>

[info@waterwatch.io](mailto:info@waterwatch.io)

Waterwatch is a Tussock Innovation brand.  
Tussock Innovation 2013 Ltd,  
94B Crawford St, Dunedin, 9016, New Zealand.  
Tel: +64 3 477 2779



## PART NUMBER DESCRIPTOR

T35-CEL

Model [T35]

Radio option [CEL]

Tank level sensor  
Cellular LTE M/NB1

## AVAILABLE PART VARIANTS

T35-CEL

T35-WIFI<sup>2</sup>

LTE M/NB-IoT bands 3,5,8, 28  
Wi-Fi 2.4 GHz

## OBSOLETE PART VARIANTS

T35-RCZ4

Sigfox RCZ4

<http://waterwatch.io>

Waterwatch is a Tussock Innovation brand.  
Tussock Innovation 2013 Ltd,  
94B Crawford St, Dunedin, 9016, New Zealand.  
Tel: +64 3 477 2779

[info@waterwatch.io](mailto:info@waterwatch.io)

**DATASHEET HISTORY****DATE**

Initial release	10/01/19
Update to production	15/03/19
Introduce document history	18/06/20
Branding document update	11/10/21
Increased battery capacity, changes to enclosure volume	05/05/21
Sigfox variant removed, WiFi variant and footnotes added	31/05/22

**PART HISTORY****VARIANT/DATE**

Engineering release	T35-xxx-PRE 10/01/19
Production release	T35-xxx 15/03/19
Sigfox production halted	T35-RCZ4 20/12/21
Wi-Fi product release	T35-WIFI 31/05/22

**FOOTNOTES**

- 1: Battery life varies based on the coverage signal strength and user-programmed device settings.
- 2: Some features for the WiFi model may be limited based on the selected subscription.
- 3: Temperatures outside of this range will reduce battery life and system performance and may damage the product.



## ABOUT WATERWATCH

Waterwatch is a Tussock Innovation brand dedicated to providing tools for better management of precious water resources and helping society adapt to a changing environment. The Waterwatch system generates insights for scientists, farmers, and municipalities via a blend of elegant, functional, and robust hardware and software.

Launched in March 2019 the T35 tank level sensor is the most recent product in the Waterwatch portfolio and is the first IoT-based product of its type globally. Designed for long-term field deployment the T35 tracks changes in tank liquid levels with a highly accurate 60GHz radar. This non-invasive, non-corrodible sensor allows the T35 to be deployed in a broad range of installation types from water to chemical and fuel tanks. User control of the T35 is provided via native iOS, Android, and Web apps. Sensor data is communicated directly to the web and used to provide time-critical alerts and level storage information. The Waterwatch T35 system enables third-party vendors to provide value-added insights like delivery requests and vehicle route optimisation via secure third-party API and Webhook access.

